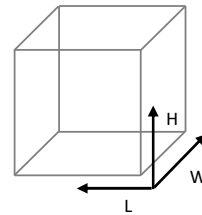
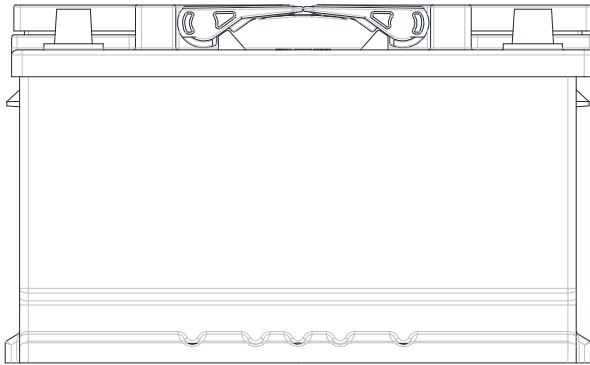
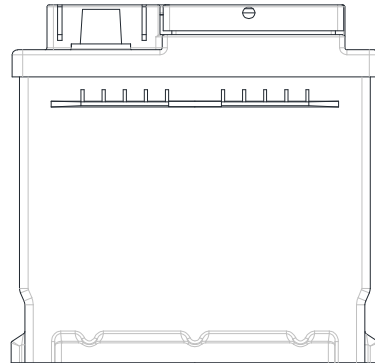
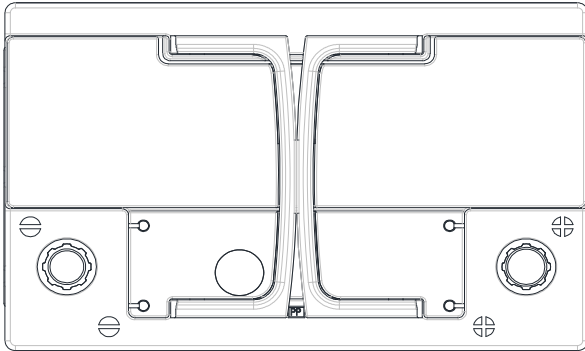


TECHNICAL DATA SHEET



PERFORMANCE			CONTAINER		
VOLTAGE(V):	12	V	Group:	LB3	D.GRAY
C20(Ah):	65	Ah	Hold Down:	B13	
RC(min):	105	min	Please refer to the catalog or our website for the details of hold down types of the battery container.		
CCA(A):	650	EN	COVER		
Vibration:	V3		Type:	Heat Sealed	D.GRAY
Endurance:	E3		Polarity:	L	
Water consumption:	W4		Terminals:	Standard	
Technology:	Flooded		Filter:	2 Filters both sides	
Grid alloy:	Ca/Ca		HANDLES		
WEIGHT AND STD. DIMENSION			Handles:	2 Handle	
Battery weight(kg):	17,00		REMARK		
Volume acid(l):	3,68				
Length(mm):	277				
Width(mm):	174				
Height(mm):	175				
Total Height(mm):	175				